



*Total Solution Provider in Saw Device*

---

# SF-1950T1-C26

Band 1, RF-Tx SAW Filter  
Revision 1: December 2013



- Electrical Characteristics
  - Package Dimensions
  - Testing Environment
  - Frequency Characteristics
- 

**SAWNICS Inc.**

---

460 Cheonheung-ri, Seonggeo-eup, Cheonan-si, Chungcheongnam-do, 330-836 / Korea.  
Tel: +82 41 550 9372 / Fax: +82 41 550 9399 / [www.sawnics.com](http://www.sawnics.com)

## □ Electrical Characteristics

### Maximum Ratings

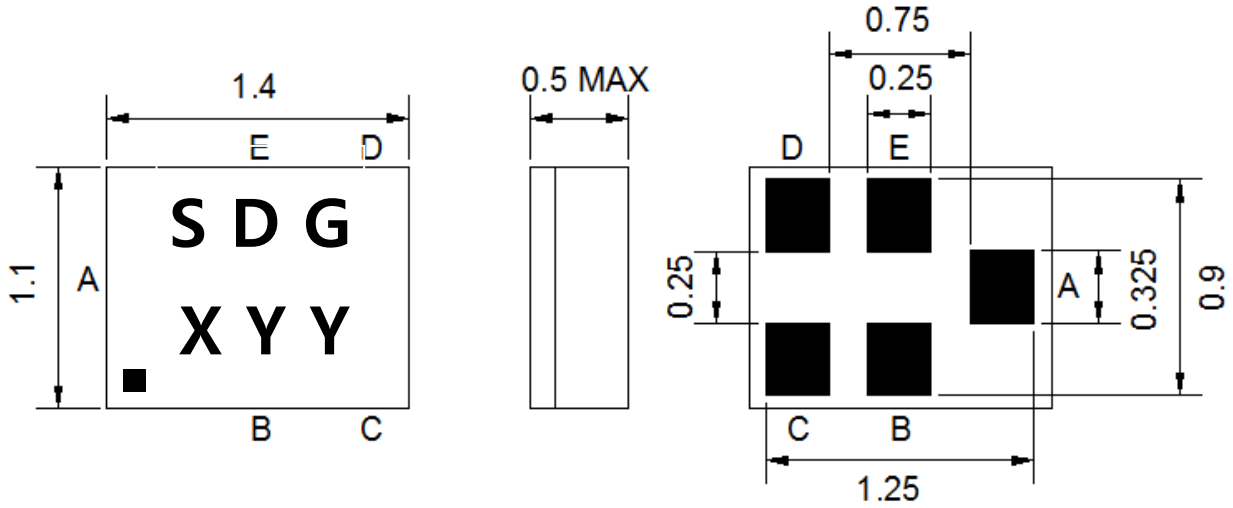
Parameters Description	Unit	Minimum	Typical	Maximum
Operating Temperature Range	°C	-30	-	+85
Storage Temperature Range	°C	-40	-	+85
Maximum DC Voltage	V	-	-	-
Maximum Input Power	dBm	-	-	10
Source Impedance (single ended)	Ω	-	50	-
Load Impedance (Single ended)	Ω	-	50	-
Package type & size	C26			
Length x Width	mm <sup>2</sup>	-	1.4 x 1.1	-
Height	mm	-	-	0.5

### Electrical Specification

Parameters Description	Unit	Minimum	Typical	Maximum
Center Frequency (Fo)	MHz	-	1950	-
Insertion Loss within 1920.0 ~ 1980.0 MHz	dB	-	1.6	2.5
Amplitude Ripple within 1920.0 ~ 1980.0 MHz	dB <sub>p-p</sub>	-	0.6	1.5
VSWR within 1920.0 ~ 1980.0 MHz	-	-	1.9	2.3
<b>Attenuation:</b>				
DC ~ 1577.0 MHz	dB	32	38	-
1577.0 ~ 1880.0 MHz	dB	22	29	-
2040.0 ~ 2045.0 MHz	dB	25	28	-
2045.0 ~ 2050.0 MHz	dB	25	28	-
2110.0 ~ 2170.0 MHz	dB	35	38	-
2500.0 ~ 3120.0 MHz	dB	28	34	-
3840.0 ~ 3960.0 MHz	dB	25	29	-
5760.0 ~ 5940.0 MHz	dB	15	21	-

**Notes :** (1) No Matching Network .

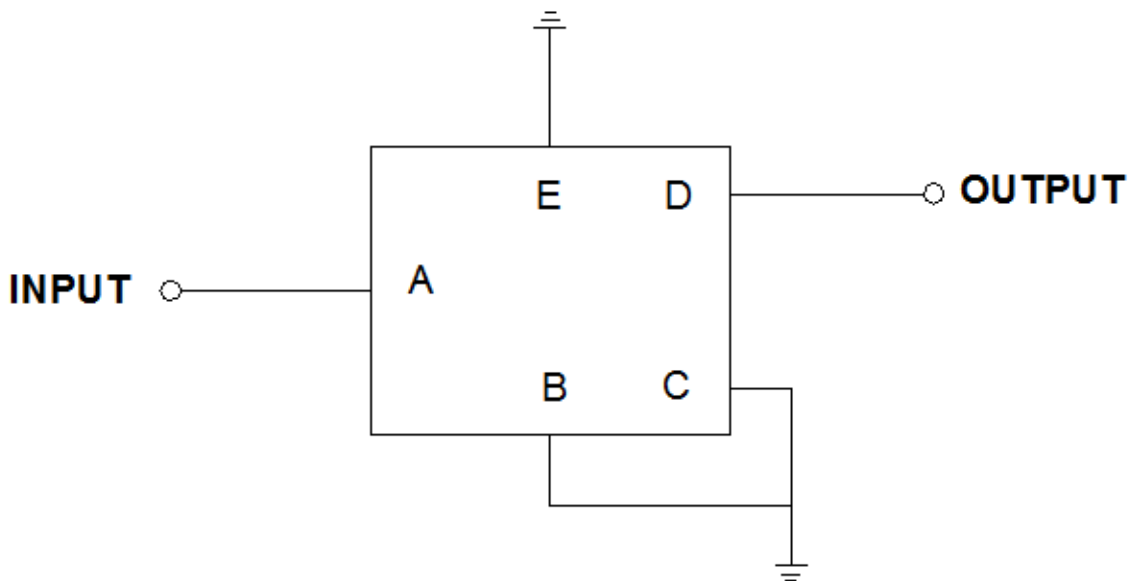
**Package Dimensions**



Marking Descriptions	
S	SAWNICS
DG	Series Number
X	Date Code(Year+Month)
YY	Lot No

Pin Description	
B, C, E	Ground
A	Input
D	Output

**Testing Environment**

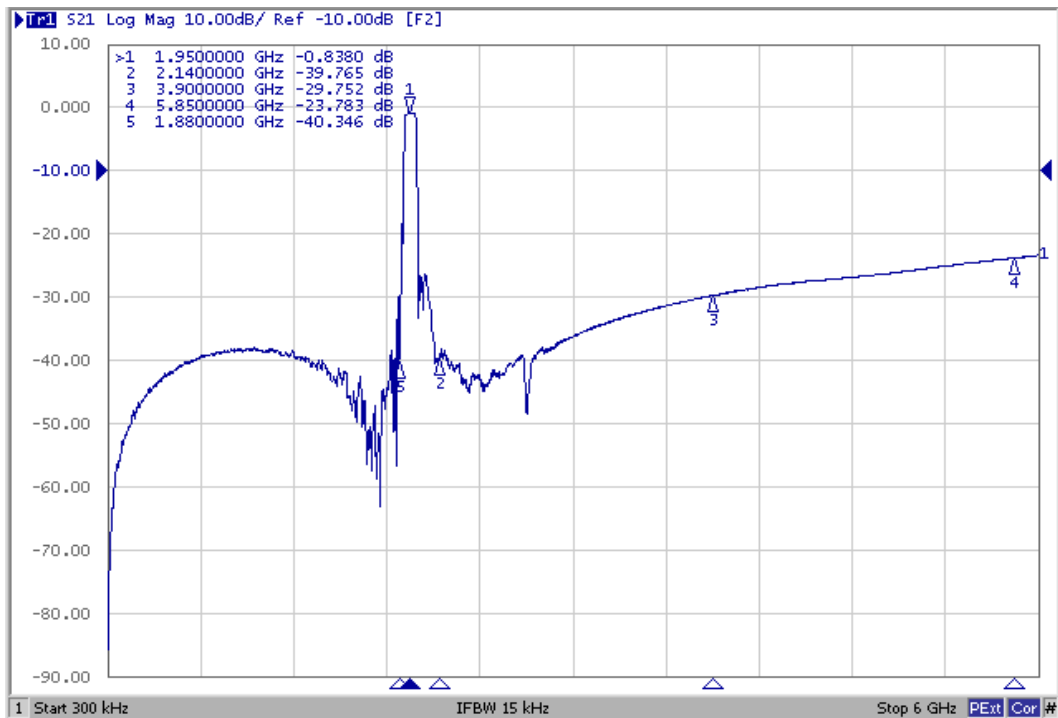
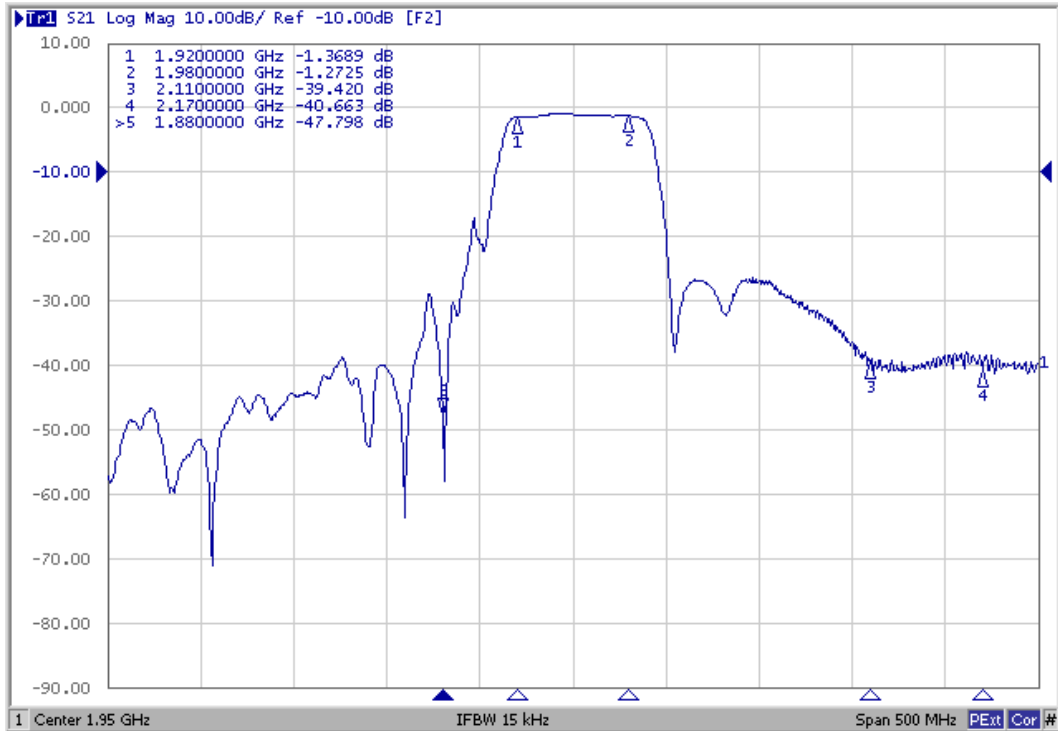


Source & Load Impedance: 50 Ω



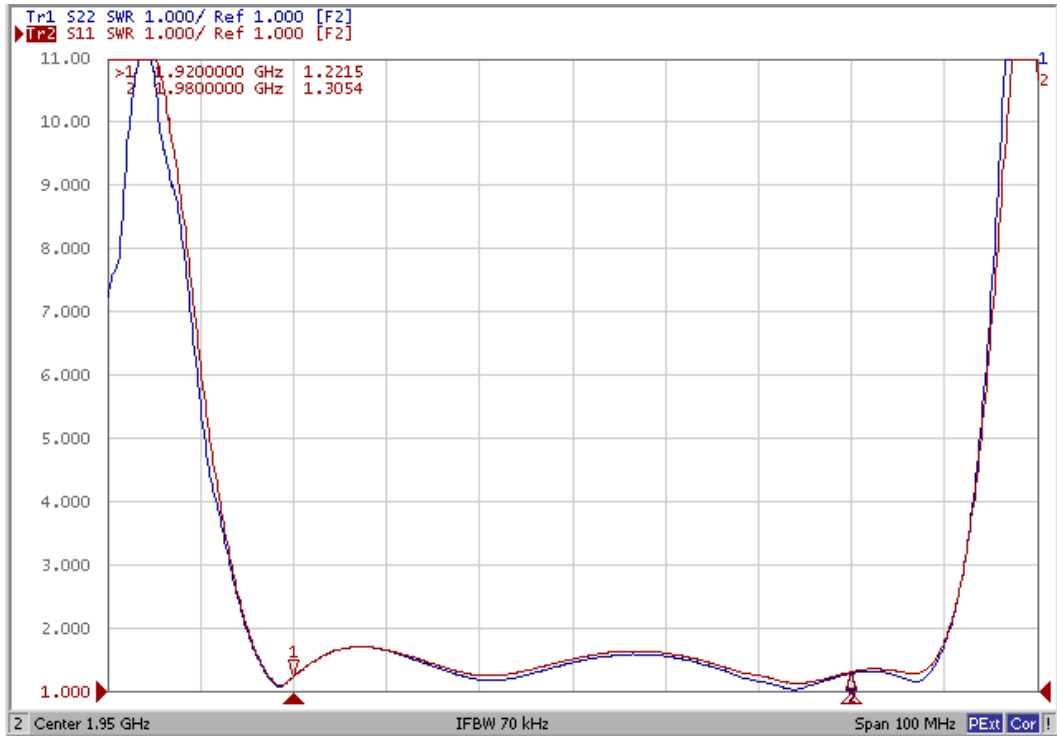
### Frequency Characteristics

Frequency Response

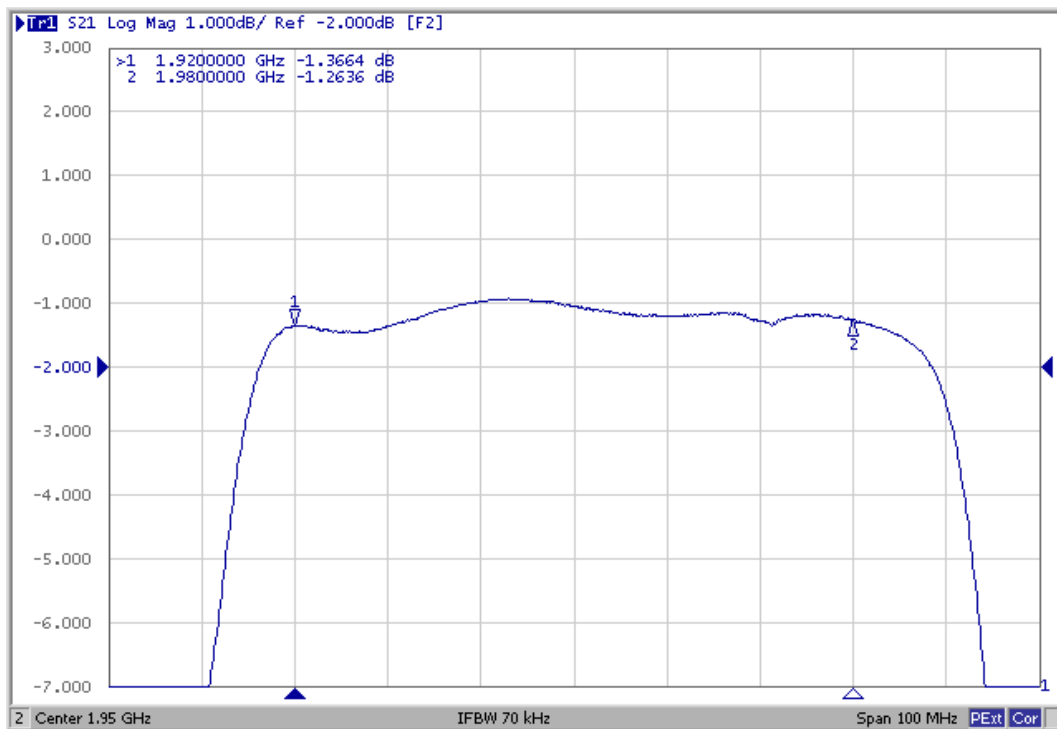




#### VSWR



#### Ripple





Smith Chart

