



*Total Solution Provider in Saw Device*

---

# SF-0942T2-C26

Band 8, RF-Rx SAW Filter  
Revision 0 : October 2013



- Electrical Characteristics
  - Package Dimensions
  - Testing Environment
  - Frequency Characteristics
- 

**SAWNICS Inc.**

---

460 Cheonheung-ri, Seonggeo-eup, Cheonan-si, Chungcheongnam-do, 330-836 / Korea.  
Tel: +82 41 550 9372 / Fax: +82 41 550 9399 / [www.sawnics.com](http://www.sawnics.com)

## □ Electrical Characteristics

### Maximum Ratings

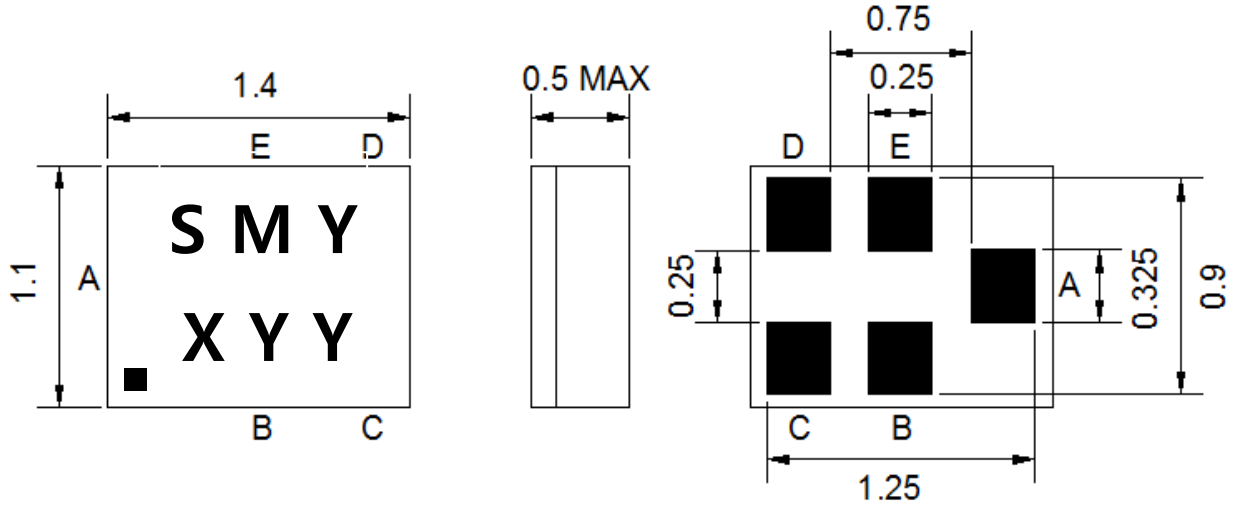
Parameters Description	Unit	Minimum	Typical	Maximum
Operating Temperature Range	°C	-30	-	+85
Storage Temperature Range	°C	-40	-	+85
Maximum DC Voltage	V	-	-	-
Maximum Input Power	dBm	-	-	10
Source Impedance (single ended)	Ω	-	50	-
Load Impedance (single ended)	Ω	-	50	-
Package type & size	C26			
Length x Width	mm <sup>2</sup>	-	1.4 x 1.1	-
Height	mm	-	-	0.5

### Electrical Specification

Parameters Description	Unit	Minimum	Typical	Maximum
Center Frequency (Fo)	MHz	-	942	-
Insertion Loss within 927.4 ~ 957.6 MHz	dB	-	1.9	2.5
Amplitude Ripple within 927.4 ~ 957.6 MHz	dB <sub>p-p</sub>	-	0.8	1.5
Input VSWR within 927.4 ~ 957.6 MHz	-	-	2.0	2.5
Output VSWR within 927.4 ~ 957.6 MHz	-	-	2.0	2.5
<b>Attenuation:</b>				
DC ~ 880.0 MHz	dB	50	62	-
880.0 ~ 912.6 MHz	dB	46	53	-
980.0 ~ 1025.0 MHz	dB	22	26	-
1025.0 ~ 2880.0 MHz	dB	33	42	-
2880.0 ~ 4000.0 MHz	dB	34	46	-
4000.0 ~ 6000.0 MHz	dB	8	19	-

**Notes :** (1) No Matching Network .

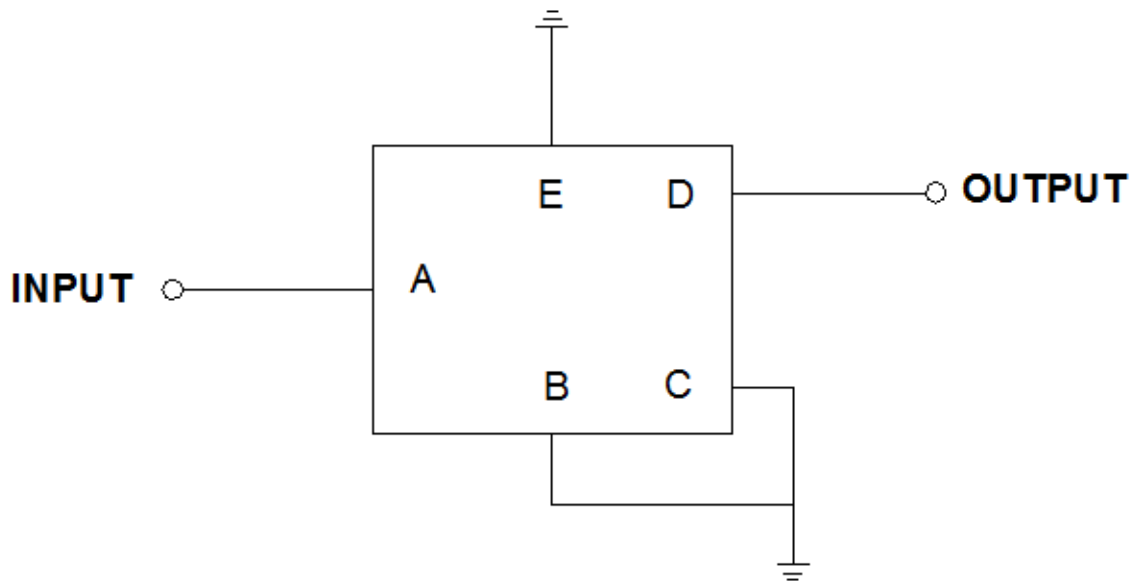
**Package Dimensions**



Marking Descriptions	
S	SAWNICS
MY	Series Number
X	Date Code(Year+Month)
YY	Lot No

Pin Description	
B, C, E	Ground
A	Input
D	Output

**Testing Environment**

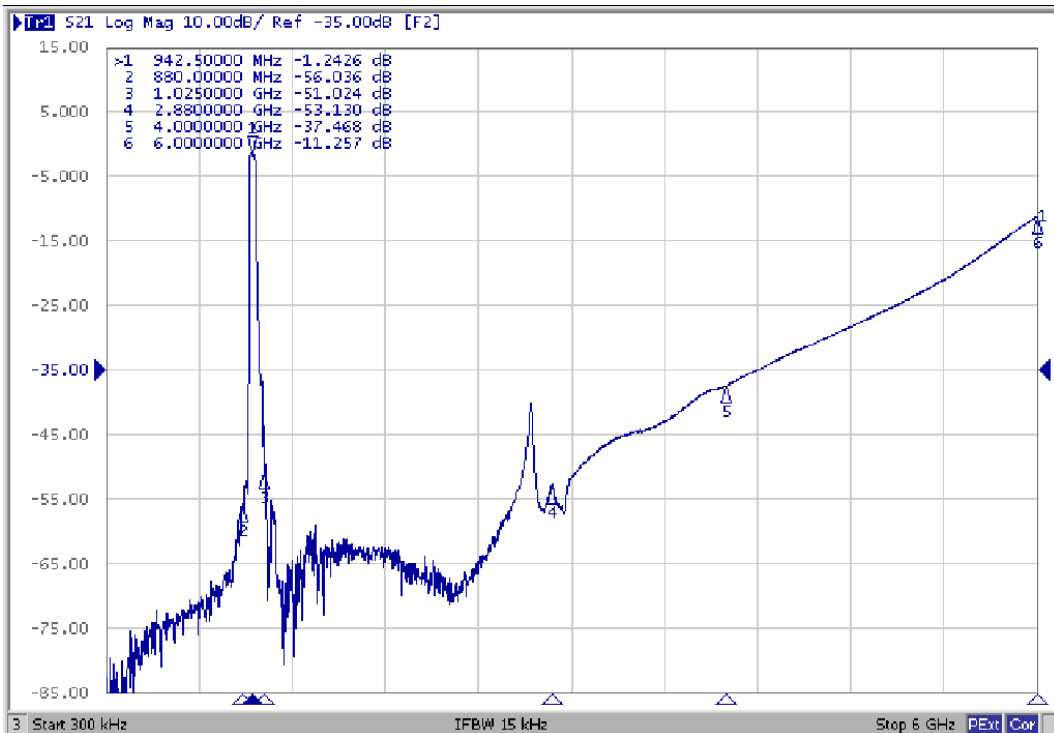
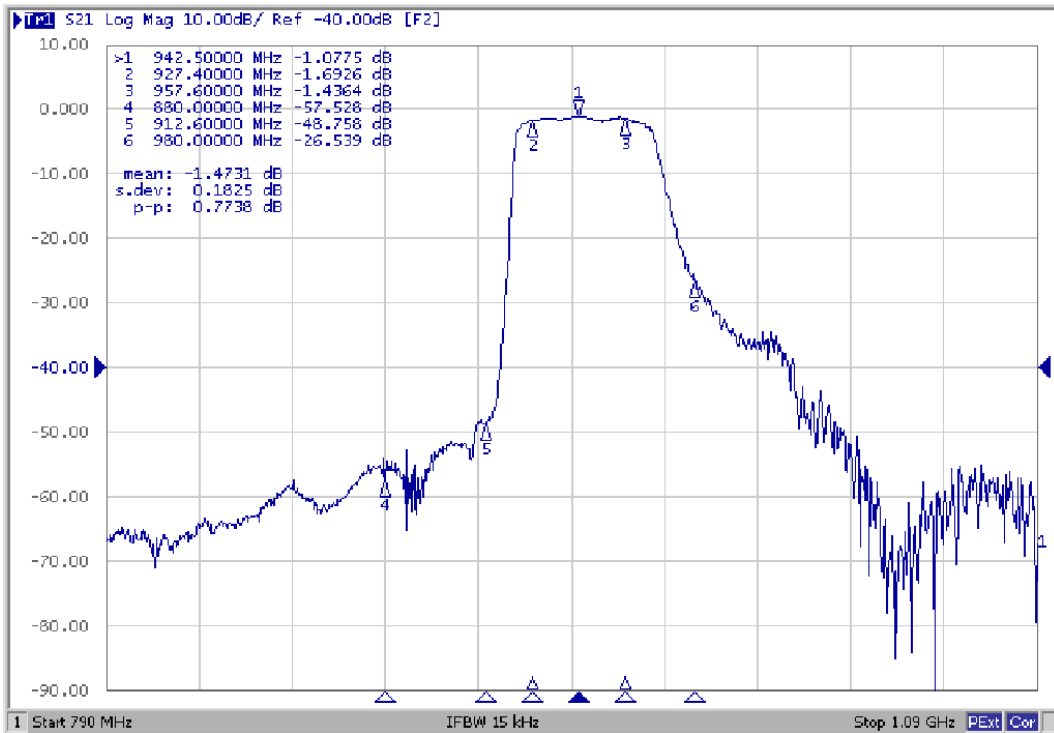


Source & Load Impedance: 50 Ω



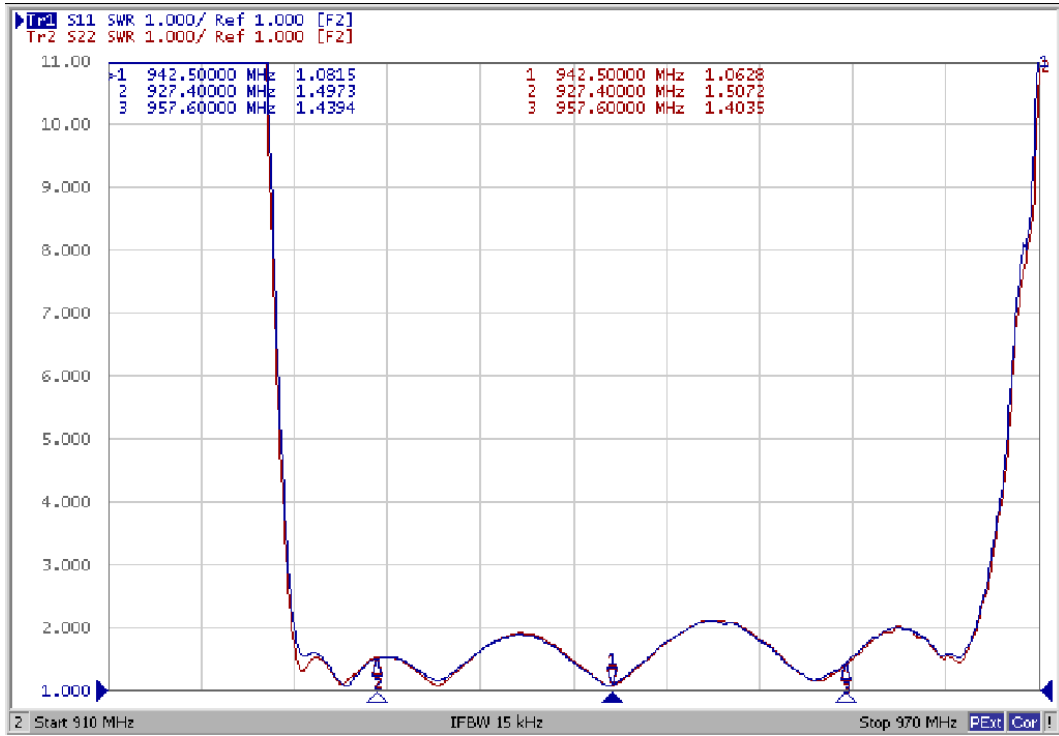
## □ Frequency Characteristics

Frequency Response

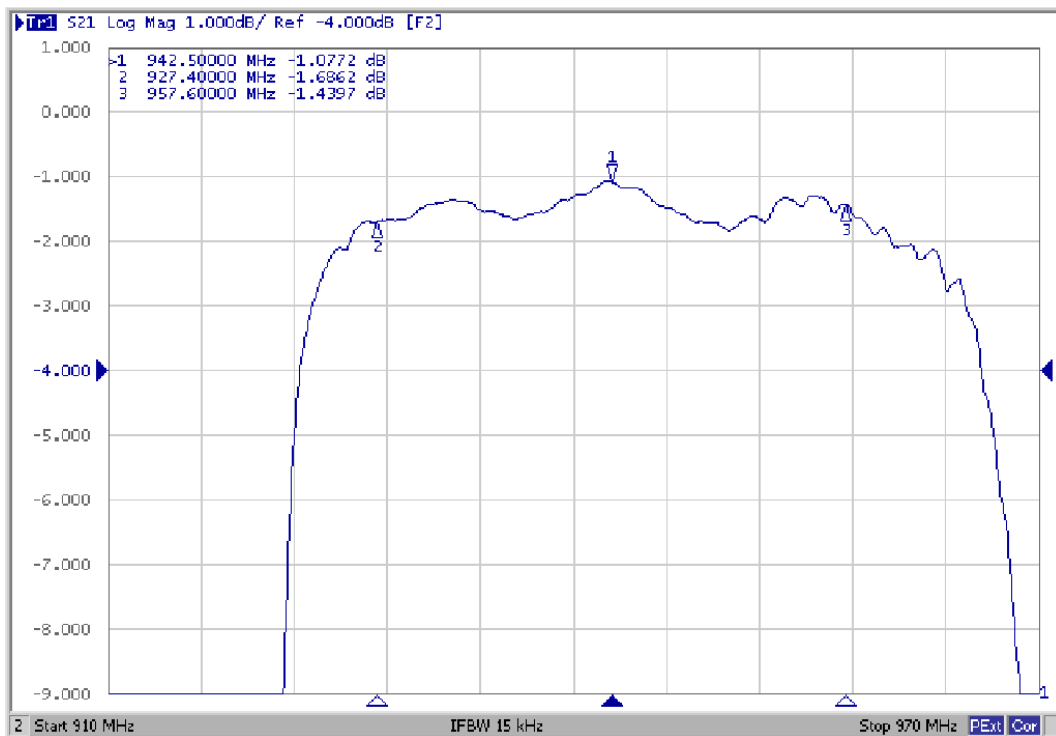




VSWR



Ripple



### Smith Chart

