



*Total Solution Provider in Saw Device*

---

# SF-0836T1-C26

Band 5, RF-Tx SAW Filter  
Revision 0: August 2013



- Electrical Characteristics
  - Package Dimensions
  - Testing Environment
  - Frequency Characteristics
- 

**SAWNICS Inc.**

---

460 Cheonheung-ri, Seonggeo-eup, Cheonan-si, Chungcheongnam-do, 330-836 / Korea.  
Tel: +82 41 550 9372 / Fax: +82 41 550 9399 / [www.sawnics.com](http://www.sawnics.com)



## □ Electrical Characteristics

### Maximum Ratings

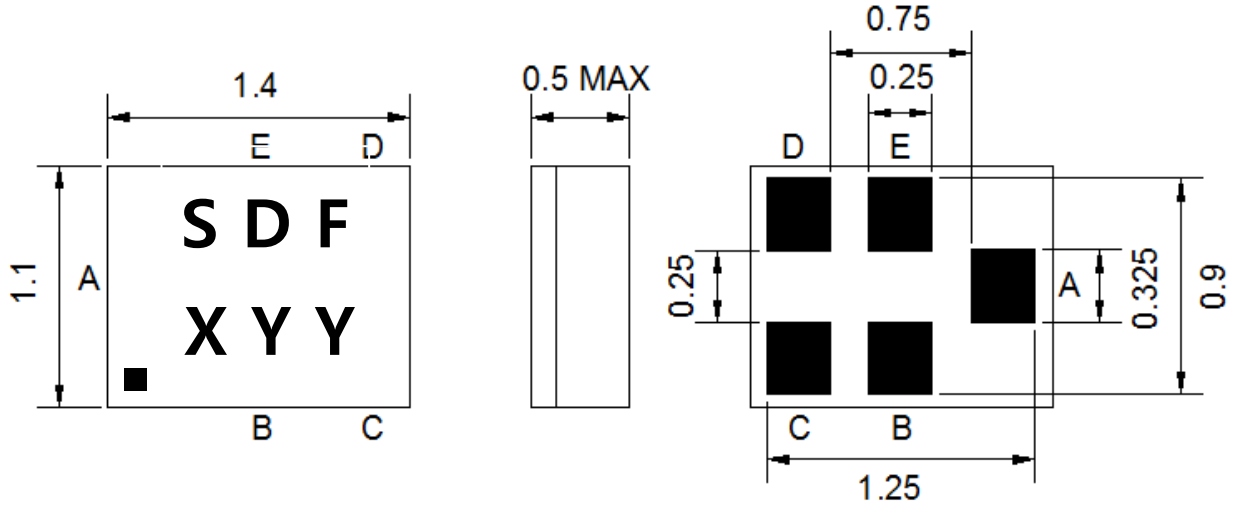
Parameters Description	Unit	Minimum	Typical	Maximum
Operating Temperature Range	°C	-30	-	+85
Storage Temperature Range	°C	-40	-	+85
Maximum DC Voltage	V	-	-	-
Maximum Input Power	dBm	-	-	15
Source Impedance (single ended)	$\Omega$	-	50	-
Load Impedance (Single ended)	$\Omega$	-	50	-
Package type & size	C26			
Length x Width	mm <sup>2</sup>	-	1.4 x 1.1	-
Height	mm	-	-	0.5

### Electrical Specification

Parameters Description	Unit	Minimum	Typical	Maximum
Center Frequency (Fo)	MHz	-	836.5	-
Insertion Loss within 824.0 ~ 849.0 MHz	dB	-	1.9	2.6
Amplitude Ripple within 824.0 ~ 849.0 MHz	dB <sub>p-p</sub>	-	0.7	1.6
VSWR within 824.0 ~ 849.0 MHz		-	1.8	2.3
<b>Attenuation:</b>				
DC ~ 750.0 MHz	dB	35	45	-
750.0 ~ 800.0 MHz	dB	28	41	-
869.0 ~ 894.0 MHz	dB	35	44	-
894.0 ~ 1050.0 MHz	dB	38	45	-
1050.0 ~ 1210.0 MHz	dB	35	44	-
1210.0 ~ 1580.0 MHz	dB	30	39	-
1580.0 ~ 2000.0 MHz	dB	28	36	-
2000.0 ~ 3000.0 MHz	dB	23	31	-
3000.0 ~ 6000.0 MHz	dB	12	22	-

**Notes :** (1) No Matching Network .

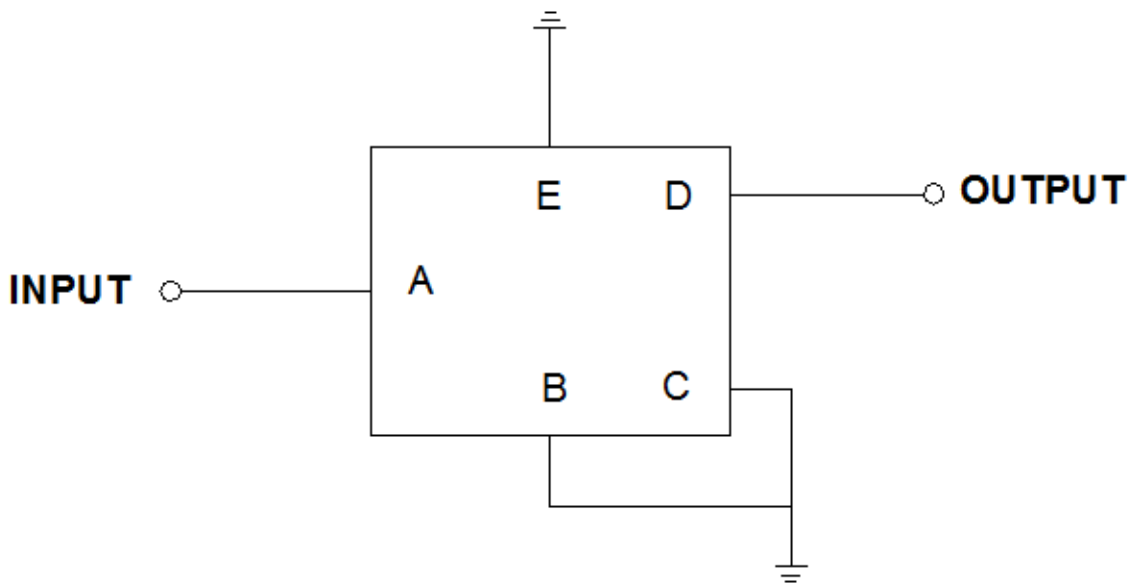
**Package Dimensions**



Marking Descriptions	
S	SAWNICS
DF	Series Number
X	Date Code(Year+Month)
YY	Lot No

Pin Description	
B, C, E	Ground
A	Input
D	Output

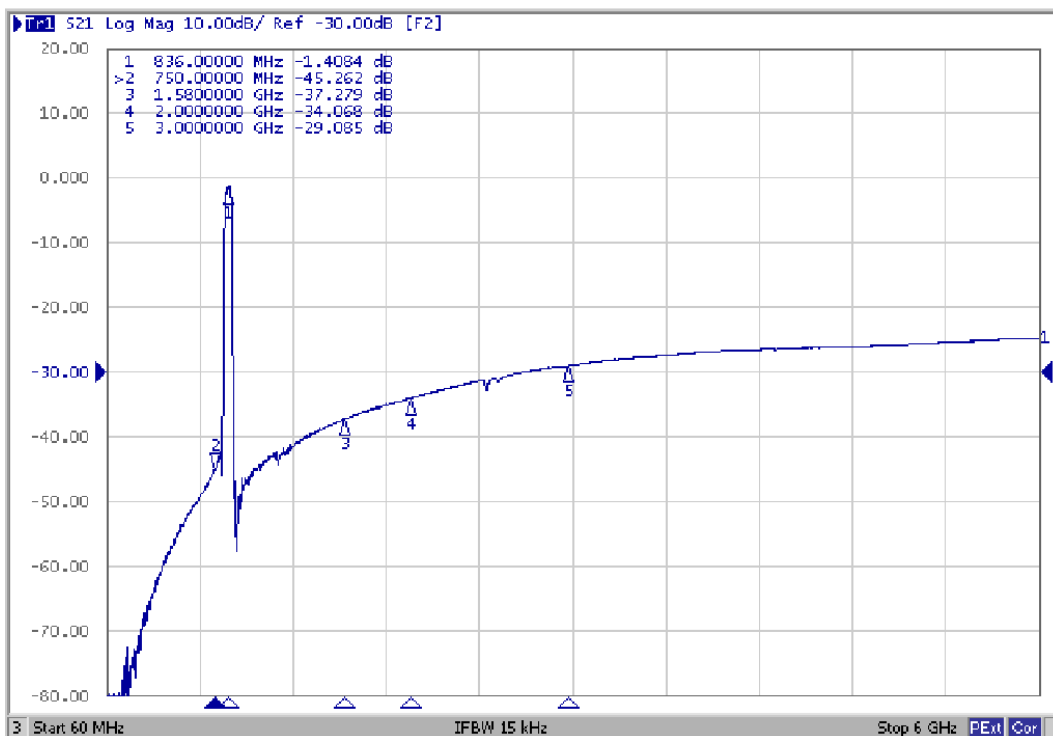
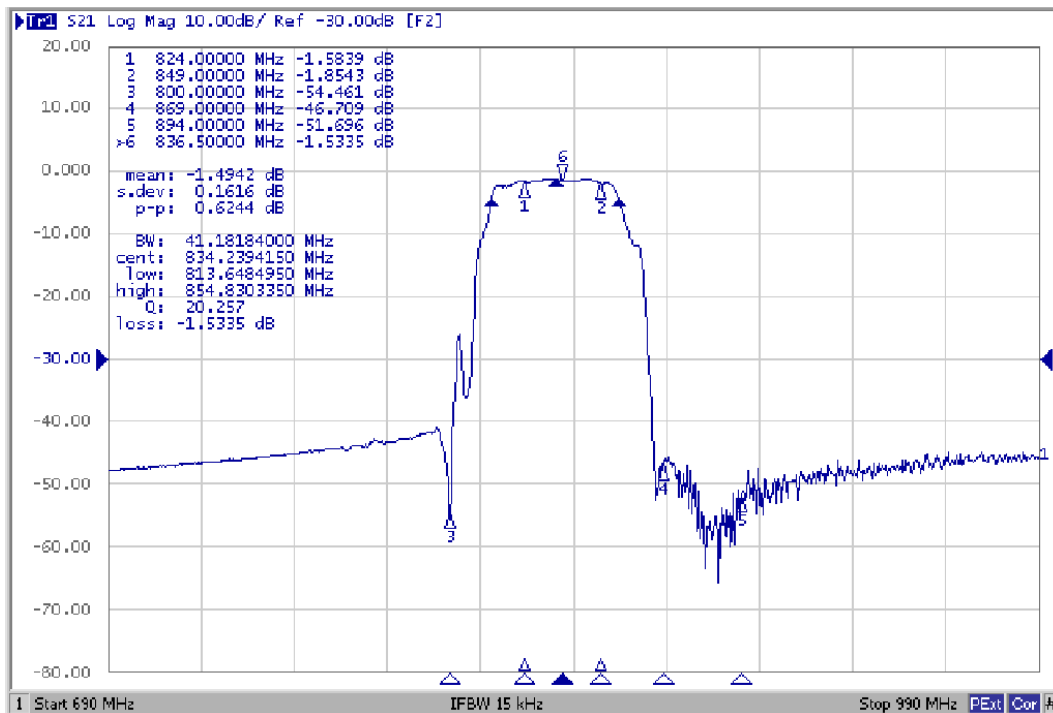
**Testing Environment**



Source & Load Impedance: 50 Ω

### □ Frequency Characteristics

#### Frequency Response

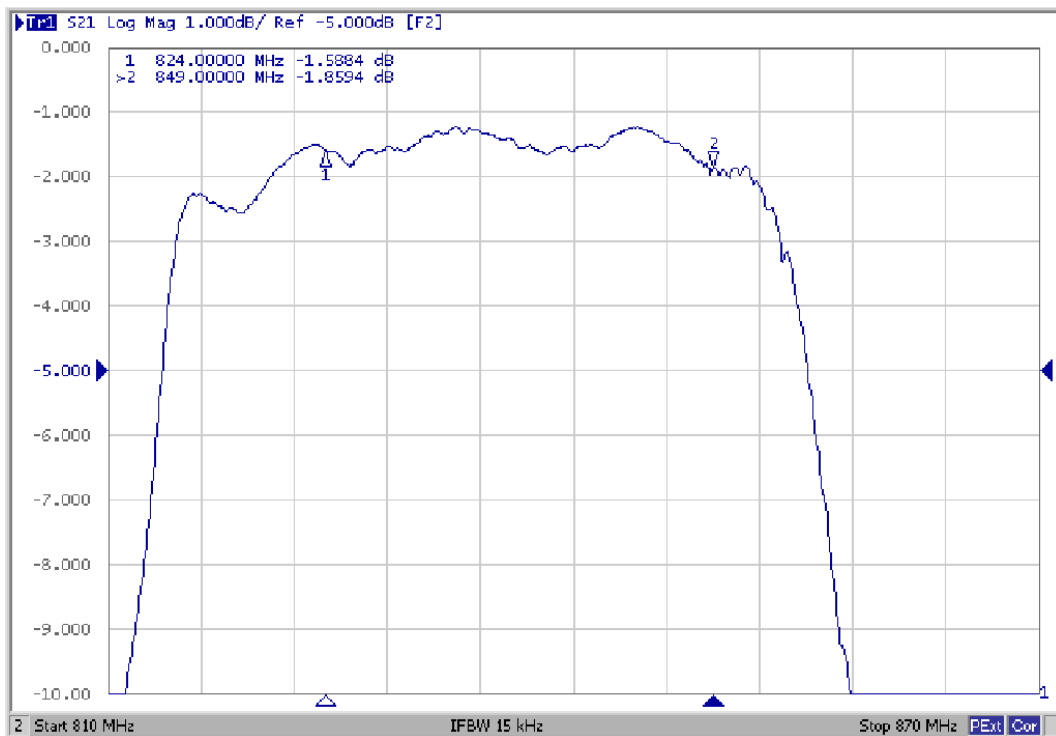




### VSWR



### Ripple



### Smith Chart

