



Total Solution Provider in Saw Device

SF-0788T1-C13

Band 28, RF-Rx Block B SAW Filter
Revision 0: January 2014



- Electrical Characteristics
 - Package Dimensions
 - Testing Environment
 - Frequency Characteristics
-

SAWNICS Inc.

460 Cheonheung-ri, Seonggeo-eup, Cheonan-si, Chungcheongnam-do, 330-836 / Korea.
Tel: +82 41 550 9372 / Fax: +82 41 550 9399 / www.sawnics.com



□ Electrical Characteristics

Maximum Ratings

Parameters Description	Unit	Minimum	Typical	Maximum
Operating Temperature Range	°C	-30	-	+85
Storage Temperature Range	°C	-40	-	+85
Maximum DC Voltage	V	-	-	-
Maximum Input Power	dBm	-	-	15
Source Impedance (single ended) ⁽¹⁾	Ω	-	50	-
Load Impedance (Single ended) ⁽¹⁾	Ω	-	50	-
Package type & size	C13			
Length x Width	mm ²	-	1.1 x 0.9	-
Height	mm	-	-	0.5

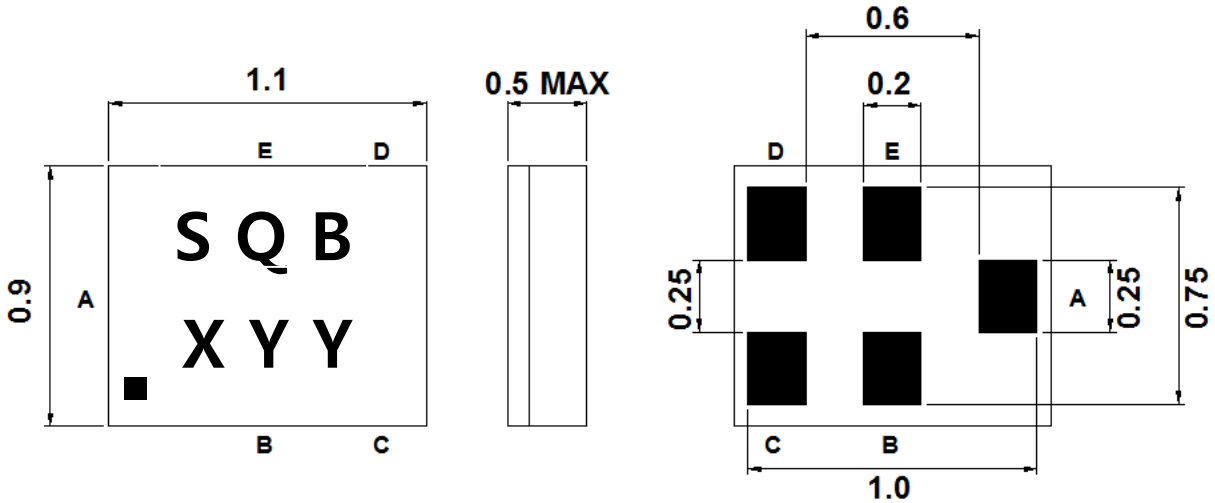


Electrical Specification

Parameters Description	Unit	Minimum	Typical	Maximum	Remarks
Center Frequency (Fo)	MHz	-	788.0	-	-
Insertion Loss within 773.0 ~ 803.0 MHz	dB	-	2.0	2.8	-
Amplitude Ripple within 773.0 ~ 803.0 MHz	dB _{p-p}	-	1.0	2.1	-
VSWR within 773.0 ~ 803.0 MHz	-	-	2.2	2.5	-
Attenuation:					
703.0 ~ 718.0 MHz	dB	46	60	-	-
718.0 ~ 748.0 MHz	dB	46	52	-	-
1546.0 ~ 1606.0 MHz	dB	40	49	-	-
1559.0 ~ 1606.0 MHz	dB	40	49	-	-
2319.0 ~ 2409.0 MHz	dB	35	43	-	-
2400.0 ~ 2500.0 MHz	dB	35	43	-	-
3092.0 ~ 3212.0 MHz	dB	30	41	-	-
3865.0 ~ 4015.0 MHz	dB	30	39	-	-
4638.0 ~ 4818.0 MHz	dB	30	38	-	-
4900.0 ~ 5950.0 MHz	dB	30	38	-	-
5411.0 ~ 5621.0 MHz	dB	30	38	-	-
6184.0 ~ 6424.0 MHz	dB	30	39	-	-
6957.0 ~ 7227.0 MHz	dB	30	38	-	-

Notes : (1) No Matching Network .

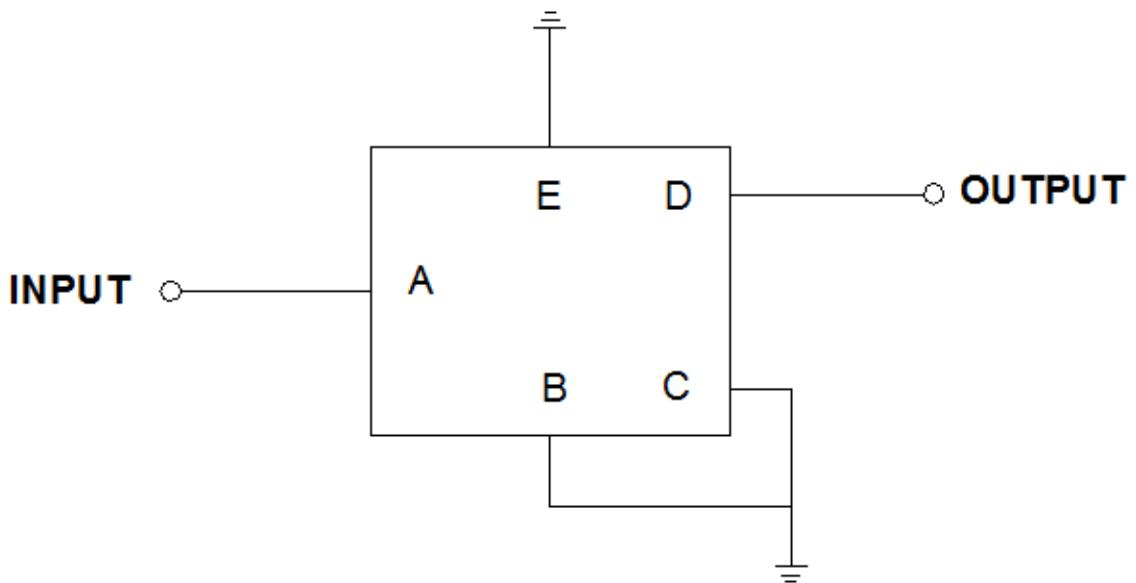
Package Dimensions



Marking Descriptions	
S	SAWNICS
QB	Series Number
X	Date Code(Year+Month)
YY	Lot No

Pin Description	
B, C, E	Ground
A	Input
D	Output

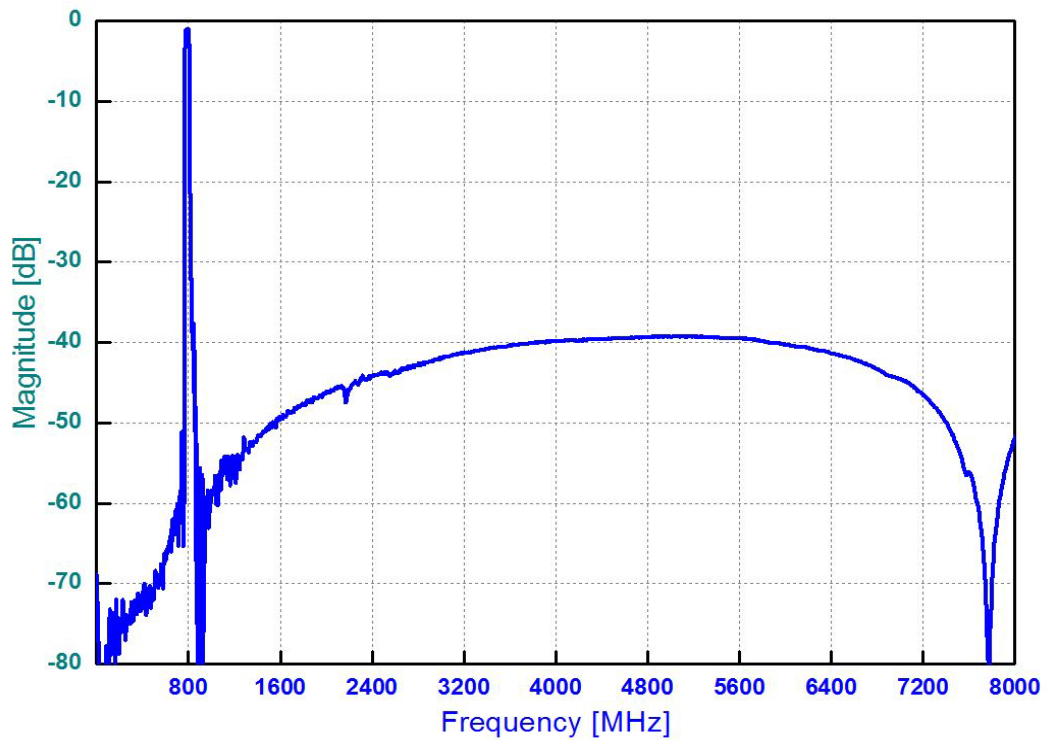
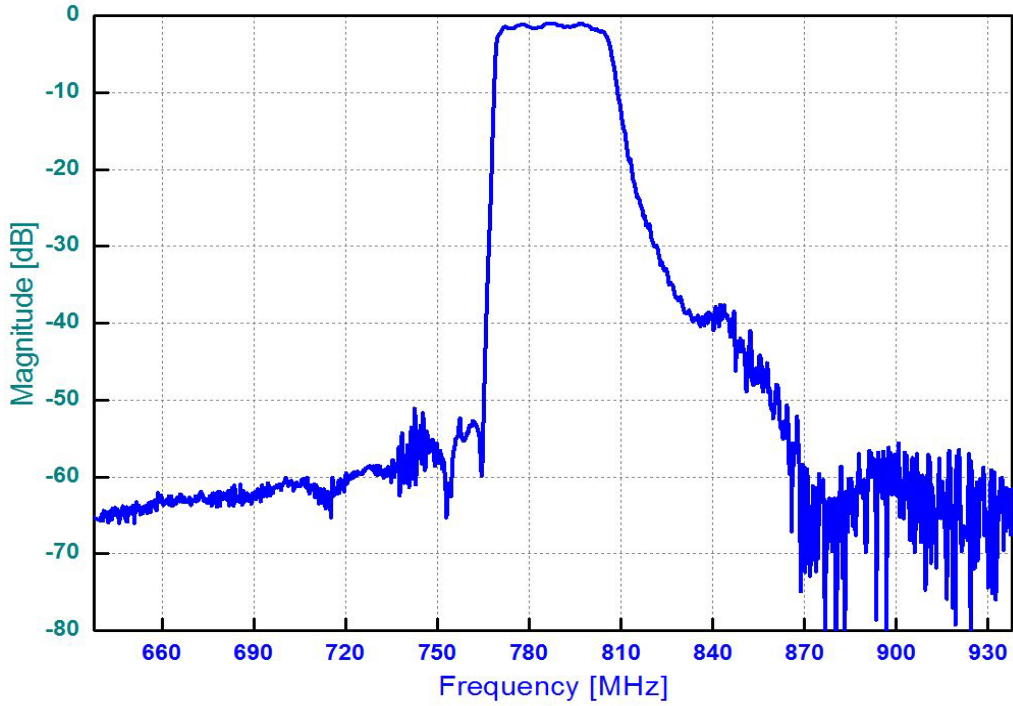
Testing Environment



Source & Load Impedance: 50 Ω

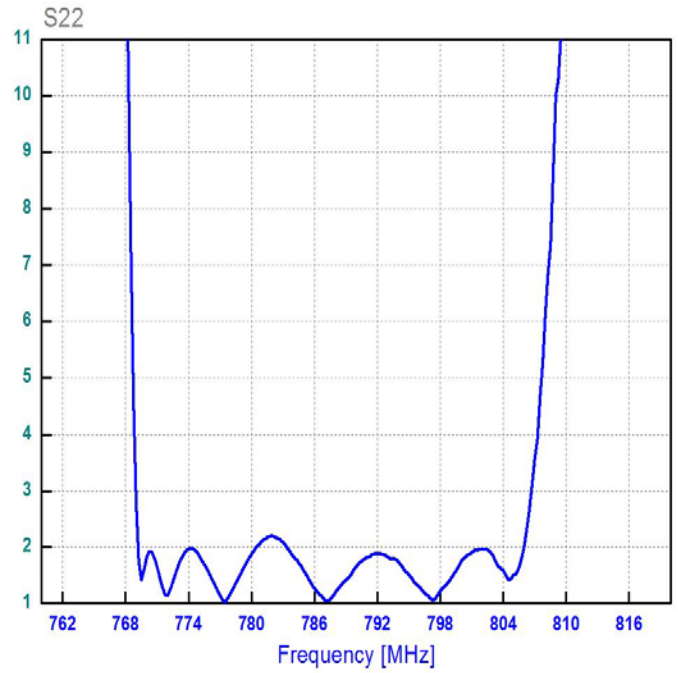
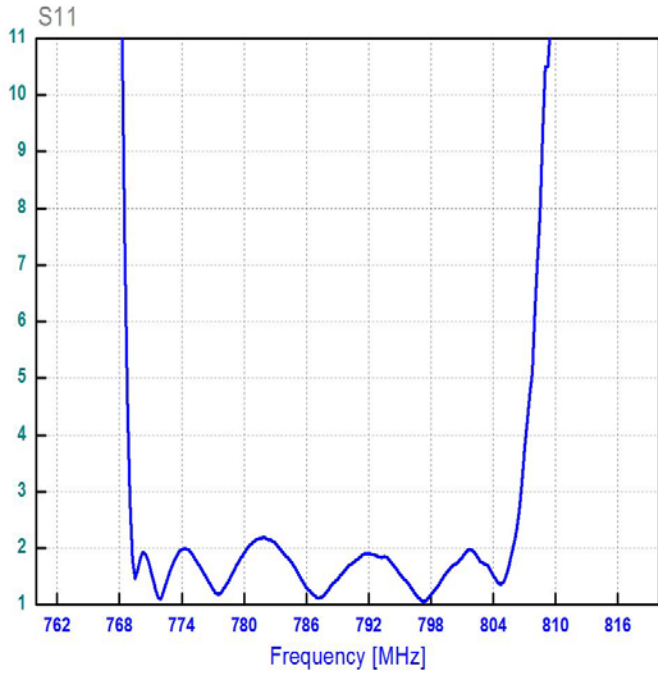
Frequency Characteristics

Frequency Response





VSWR



Smith Chart

