



Total Solution Provider in Saw Device

SF-0782T1-C26

Band 13, RF-Tx SAW Filter
Revision 0: August 2013



- Electrical Characteristics
 - Package Dimensions
 - Testing Environment
 - Frequency Characteristics
-

SAWNICS Inc.

460 Cheonheung-ri, Seonggeo-eup, Cheonan-si, Chungcheongnam-do, 330-836 / Korea.
Tel: +82 41 550 9372 / Fax: +82 41 550 9399 / www.sawnics.com



□ Electrical Characteristics

Maximum Ratings

Parameters Description	Unit	Minimum	Typical	Maximum
Operating Temperature Range	°C	-30	-	+85
Storage Temperature Range	°C	-40	-	+85
Maximum DC Voltage	V	-	-	-
Maximum Input Power	dBm	-	-	15
Source Impedance (single ended)	Ω	-	50	-
Load Impedance (Single ended)	Ω	-	50	-
Package type & size	C26			
Length x Width	mm ²	-	1.4 x 1.1	-
Height	mm	-	-	0.5

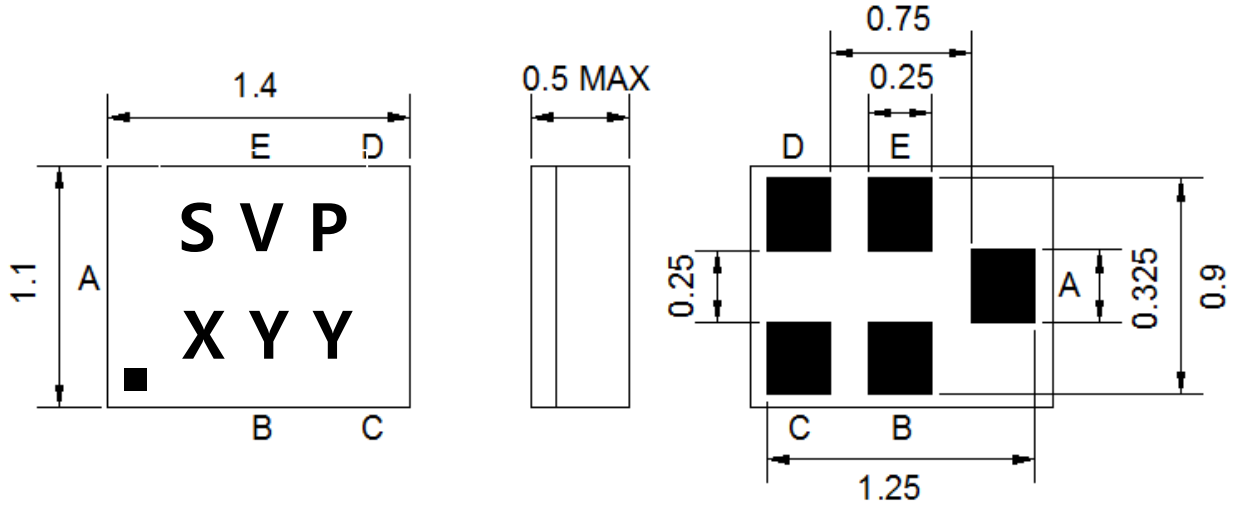


Electrical Specification

Parameters Description	Unit	Minimum	Typical	Maximum	Remarks
Center Frequency (Fo)	MHz	-	782	-	
Insertion Loss within 777.0 ~ 787.0 MHz	dB	-	1.5	2.0	
Amplitude Ripple within 777.0 ~ 787.0 MHz	dB _{p-p}	-	0.5	1.0	
VSWR within 777.0 ~ 787.0 MHz		-	1.5	2.0	
Attenuation:					
10.0 ~ 716.0 MHz	dB	45	60	-	
716.0 ~ 728.0 MHz	dB	45	60	-	
728.0 ~ 746.0 MHz	dB	45	55	-	
746.0 ~ 756.0 MHz	dB	45	55	-	
758.0 ~ 768.0 MHz	dB	-	3	-	Not specified
768.0 ~ 775.0 MHz	dB	-	1	-	Not specified
793.0 ~ 805.0 MHz	dB	-	1	-	Not specified
808.0 ~ 818.0 MHz	dB	25	32	-	
869.0 ~ 894.0 MHz	dB	45	55	-	
1554.0 ~1565.0 MHz	dB	45	60	-	
1565.0 ~ 1585.0 MHz	dB	45	60	-	
1597.0 ~ 1607.0 MHz	dB	45	60	-	
1805.0 ~ 1880.0 MHz	dB	45	60	-	
1930.0 ~ 1990.0 MHz	dB	45	55	-	
2110.0 ~ 2170.0 MHz	dB	35	55	-	
2331.0 ~ 2361.0 MHz	dB	45	50	-	
2400.0 ~ 2484.0 MHz	dB	35	50	-	
2484.0 ~ 3000.0 MHz	dB	30	50	-	
3000.0 ~ 3108.0 MHz	dB	20	55	-	
3108.0 ~ 3148.0 MHz	dB	20	55	-	
3148.0 ~ 4000.0 MHz	dB	20	40	-	
4000.0 ~ 5000.0 MHz	dB	15	30	-	
5000.0 ~ 6000.0 MHz	dB	5	20	-	

Notes : (1) No Matching Network .

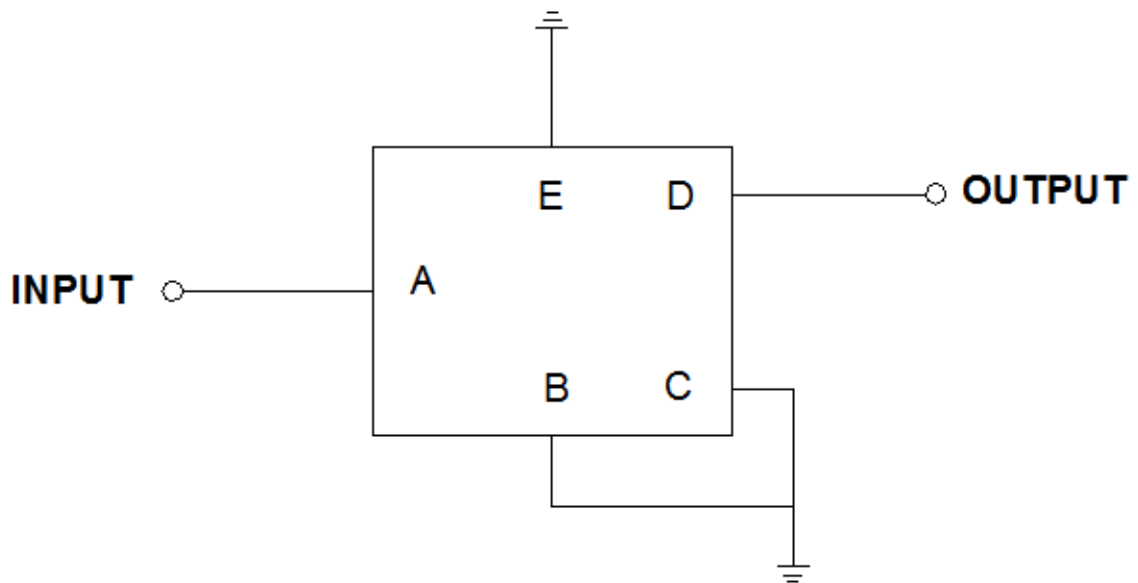
Package Dimensions



Marking Descriptions	
S	SAWNICS
VP	Series Number
X	Date Code(Year+Month)
YY	Lot No

Pin Description	
B, C, E	Ground
A	Input
D	Output

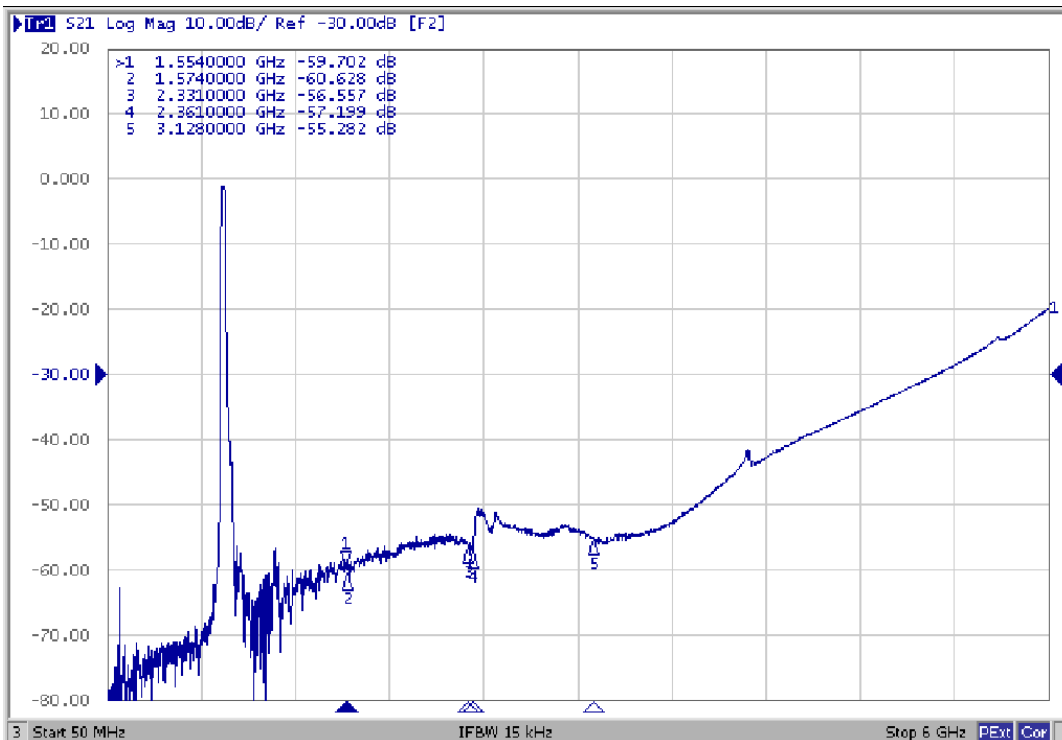
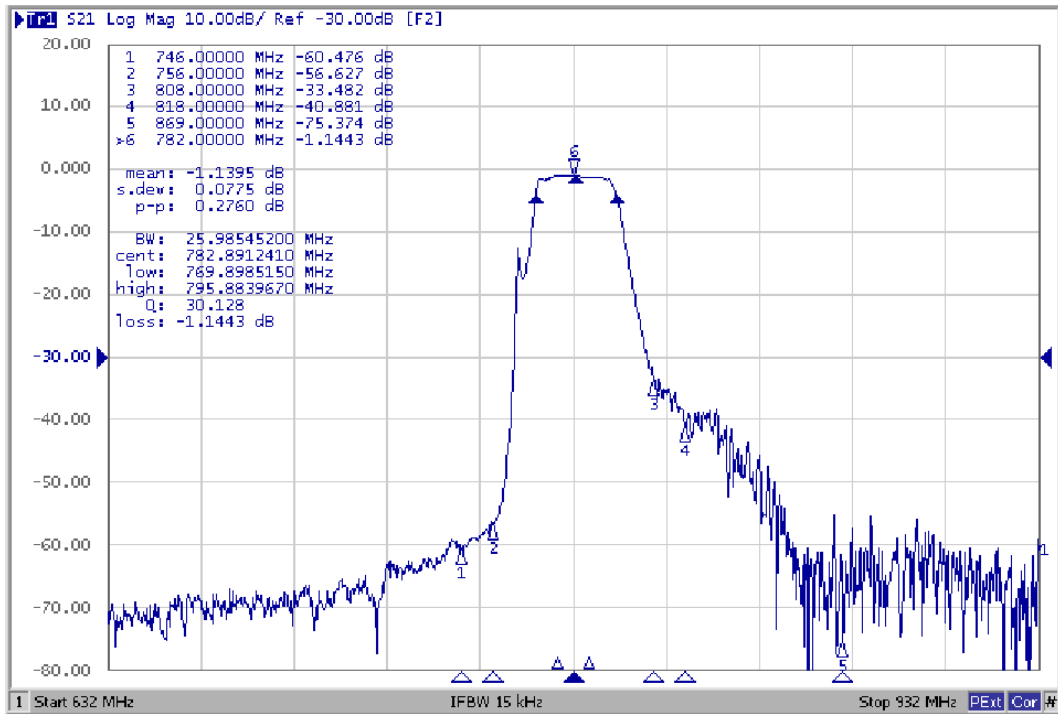
Testing Environment



Source & Load Impedance: 50 Ω

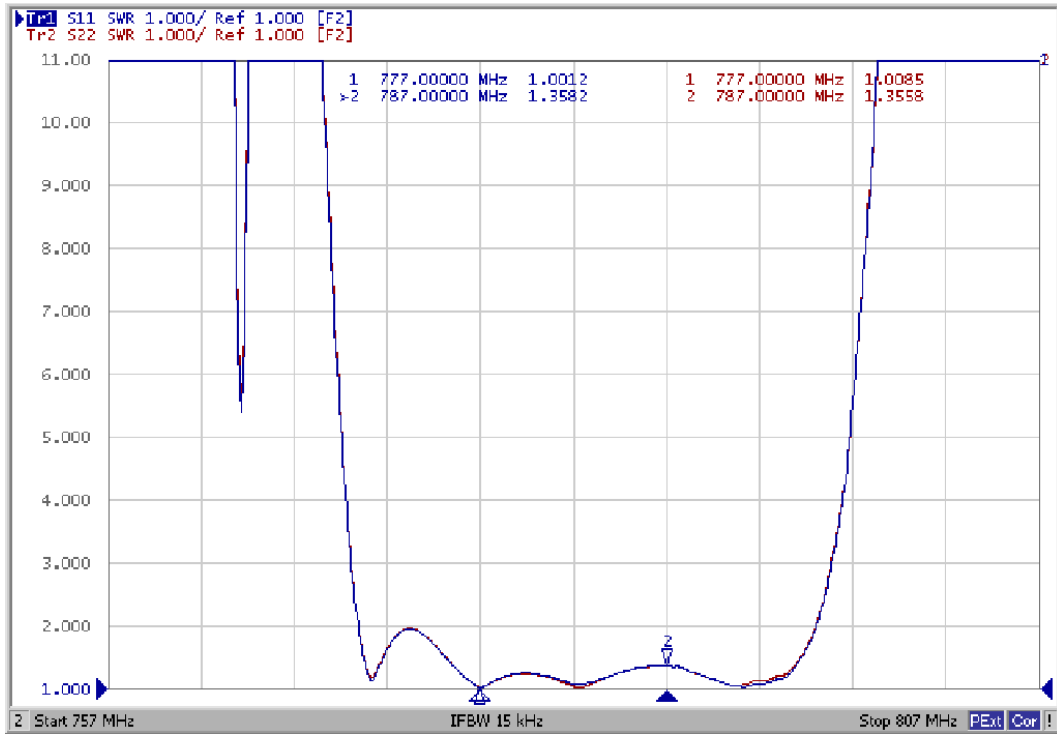
□ Frequency Characteristics

Frequency Response

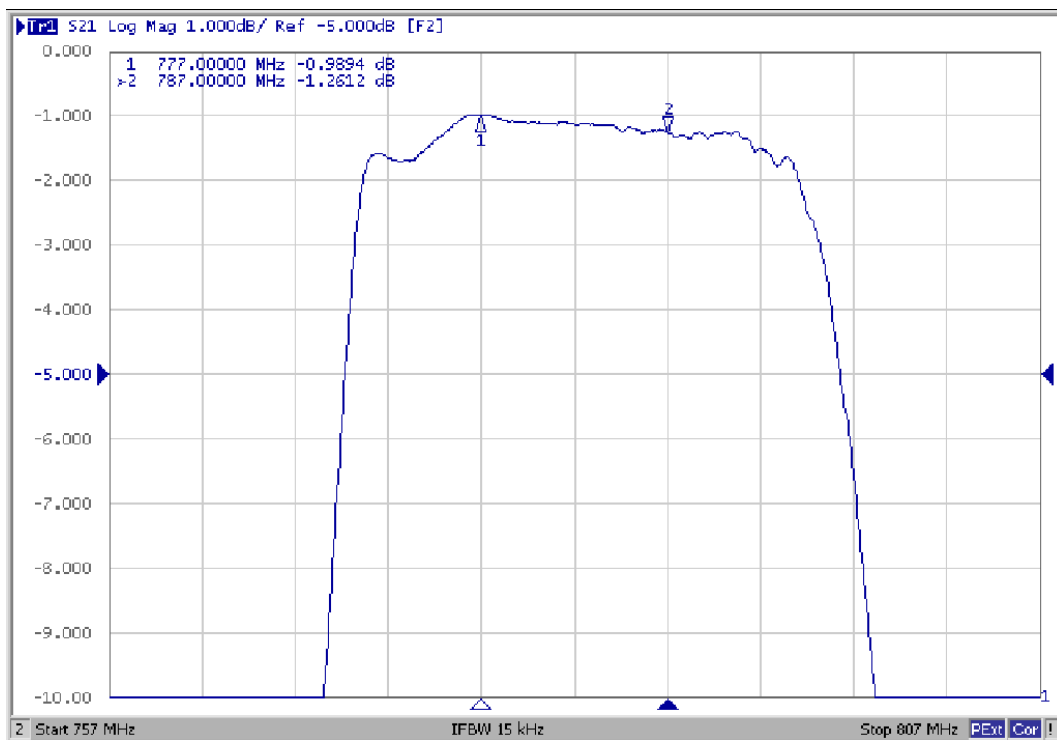




VSWR



Ripple



Smith Chart

