



*Total Solution Provider in Saw Device*

---

# SF-0740T2-C13

Band 17, RF-Rx Balance SAW Filter  
Preliminary : February 2014



- Electrical Characteristics
  - Package Dimensions
  - Testing Environment
- 

**SAWNICS Inc.**

---

460 Cheonheung-ri, Seonggeo-eup, Cheonan-si, Chungcheongnam-do, 330-836 / Korea.  
Tel: +82 41 550 9372 / Fax: +82 41 550 9399 / [www.sawnics.com](http://www.sawnics.com)



## □ Electrical Characteristics

### Maximum Ratings

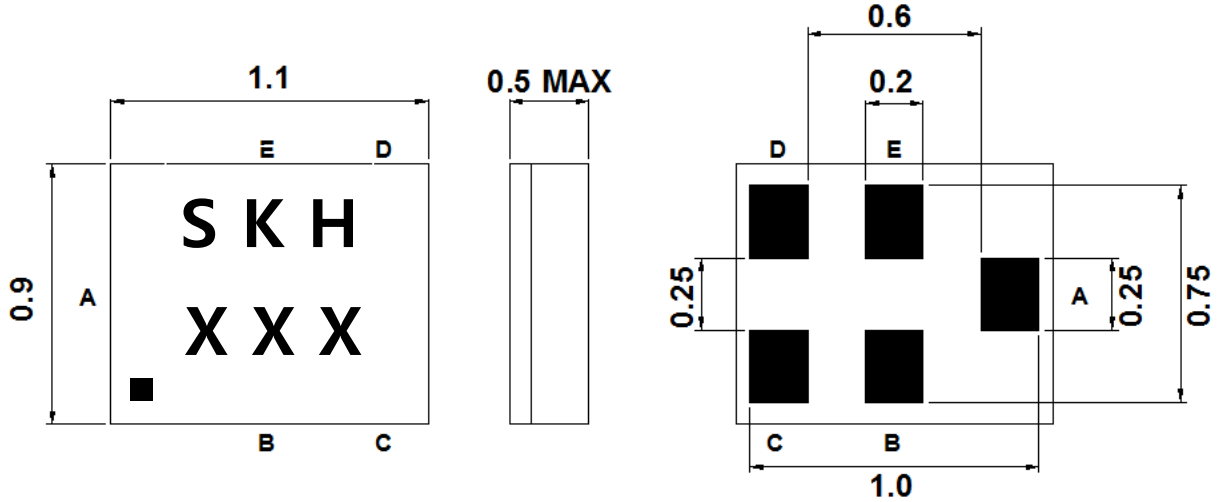
Parameters Description	Unit	Minimum	Typical	Maximum
Operating Temperature Range	°C	-30	-	+85
Storage Temperature Range	°C	-40	-	+85
Maximum DC Voltage	V	-	-	-
Maximum Input Power	dBm	-	-	10
Source Impedance (single ended)	$\Omega$	-	50	-
Load Impedance (Balanced)	$\Omega$	-	100	-
Package type & size	C13			
Length x Width	mm <sup>2</sup>	-	1.1 x 0.9	-
Height	mm	-	-	0.5

### Electrical Specification

Parameters Description	Unit	Minimum	Typical	Maximum
Center Frequency (Fo)	MHz	-	740.0	-
Insertion Loss within 734.0 ~ 746.0 MHz	dB	-	1.4	2.0
Amplitude Ripple within 734.0 ~ 746.0 MHz	dB <sub>p-p</sub>	-	0.4	1.0
VSWR within 734.0 ~ 746.0 MHz	-	-	1.5	2.0
Amplitude balance within 734.0 ~ 746.0 MHz	dB	-1.0	-0.5 ~ +0.2	+1.0
Phase balance within 734.0 ~ 746.0 MHz	deg	-10	-3 ~ +1.3	+10
<b>Attenuation:</b>				
DC ~ 686.0 MHz	dB	55	66	-
704.0 ~ 716.0 MHz	dB	52	65	-
716.0 ~ 722.0 MHz	dB	21	46	-
1400.0 ~ 2300.0 MHz	dB	45	54	-
2300.0 ~ 3000.0 MHz	dB	40	52	-
3000.0 ~ 4000.0 MHz	dB	35	49	-
4000.0 ~ 5000.0 MHz	dB	30	47	-
5000.0 ~ 6000.0 MHz	dB	25	46	-

**Notes :** (1) No Matching Network .

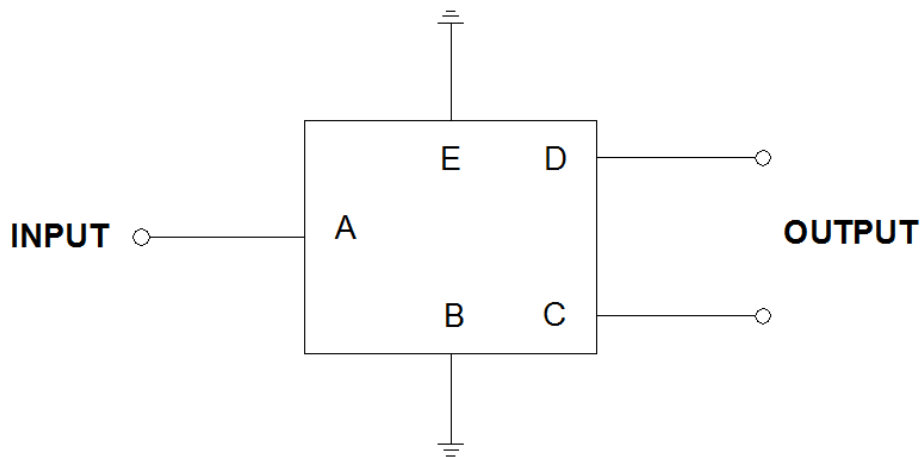
**Package Dimensions**



Marking Descriptions	
S	SAWNICS
KH	Series Number
XXX	Date Code(Year+Month+LOT)

Pin Description	
B, E	Ground
A	Input
C, D	Balanced Output

**Testing Environment**



Source Impedance: 50 Ω

Load Impedance: 100 Ω